

Style: Tortuga

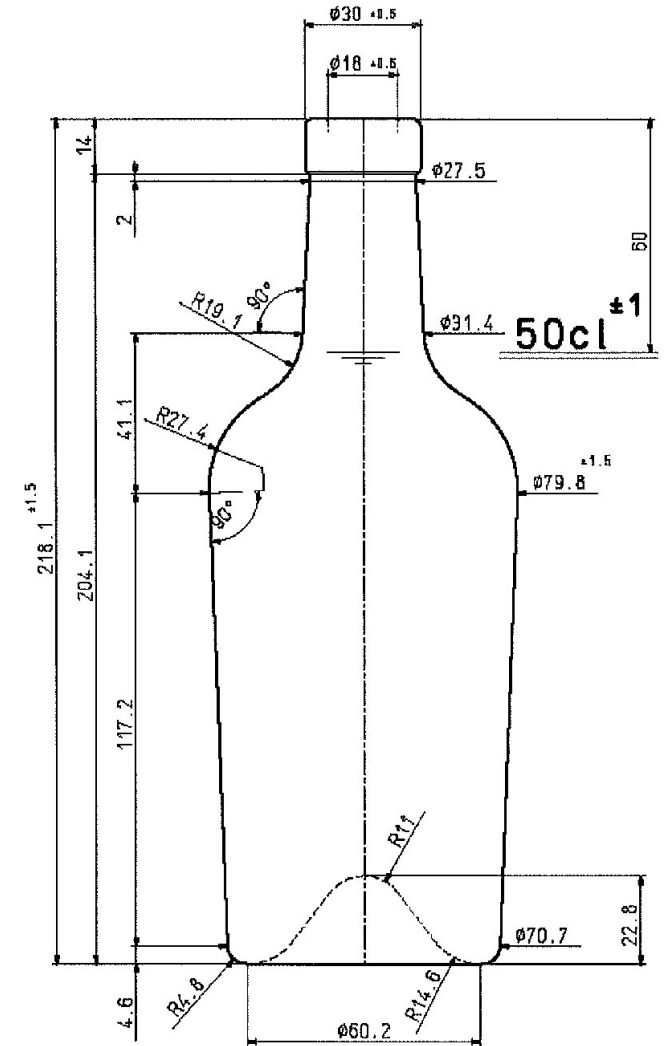
Port

Capacity: 500ml

Weight: 400 grams

Pallet Count: 98 cases

Colors: Antique Green (Stock)



6006 South 228th Street  
Kent, WA 98032-1806  
Phone: 253/872-9693  
Toll Free: 800/248-3269  
Fax: 253/872-0803  
Email: [sales@pioneerseattle.com](mailto:sales@pioneerseattle.com)

**PIONEER  
PACKAGING**

[www.pioneerseattle.com](http://www.pioneerseattle.com) [www.pioneeroregon.com](http://www.pioneeroregon.com)

20171 SW 95th Avenue  
Tualatin, OR 97062-7538  
Phone: 503/ 885-2565  
Toll Free: 866/ 994-6375  
Fax: 503/ 692-8469  
Email: [sales@pioneeroregon.com](mailto:sales@pioneeroregon.com)