

Style # PG-262

Burgundy

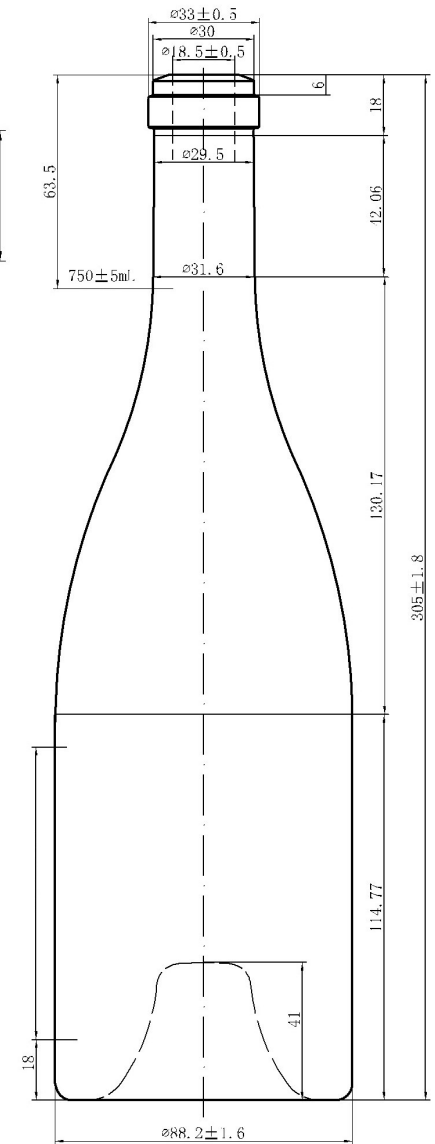
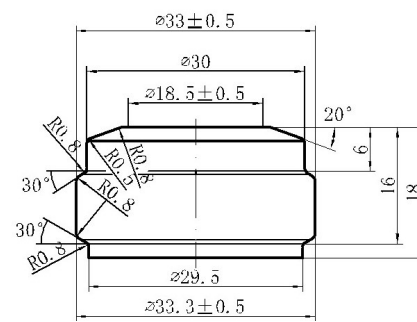
Capacity: 750ml

Weight: 880 grams

Pallet Count: 77 cases

Colors: Antique Green (Stock)

Dead Leaf Green
(Special Order)



6006 South 228th Street
Kent, WA 98032-1806
Phone: 253/872-9693
Toll Free: 800/248-3269
Fax: 253/872-0803
Email: sales@pioneerseattle.com

PIONEER
PACKAGING

www.pioneerseattle.com www.pioneeroregon.com

20171 SW 95th Avenue
Tualatin, OR 97062-7538
Phone: 503/ 885-2565
Toll Free: 866/ 994-6375
Fax: 503/ 692-8469
Email: sales@pioneeroregon.com