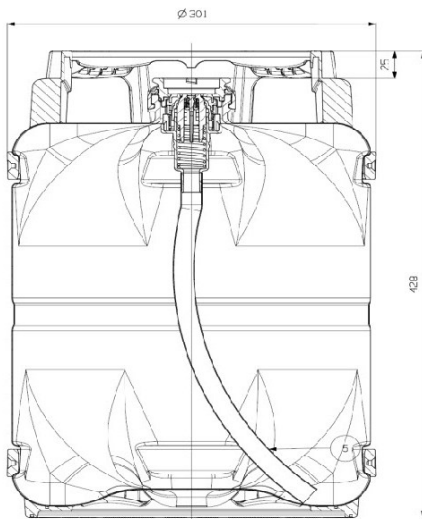
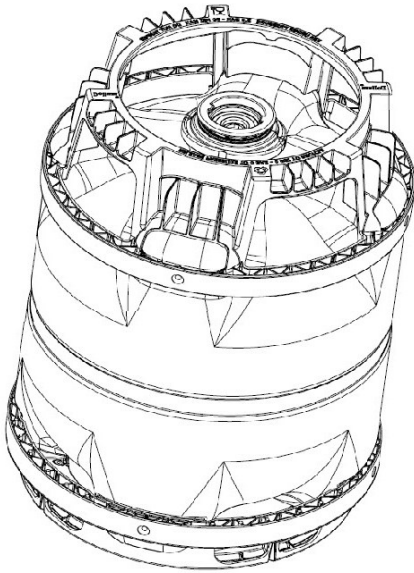


Dolium

One-Way PET Kegs

20L Prime



KEG

Cycle	Single use
Volume	20L
Dimensions	D x H = 11.85 x 16.85 in
Weight (empty)	2.6 pounds
Temperature	32° F < T < 95° F
Pre-pressure	1.0 bar CO2
Working pressure	3.5 bar max.
Pressure Relief Valve	5.2 bar +/- 0.2 bar
Pallet Count	55 kegs

CONTAINER

Oxygen ingress	Active barrier
Carbon dioxide	Passive barrier
UV ingress	UV light barrier

CONNECTION

Type	D(raft) type = American Sankey-type
------	-------------------------------------

CHIMES

Handling	Vertical and horizontal
Storage	Stackable

APPLICATIONS

Products	Beverages
Shelf Life	Equal to stainless steel
Certificates	EU / FDA
Filling Line	Compatible—check recommended
Draught installation	Compatible
Recyclable	100%

6006 South 228th Street
Kent, WA 98032-1806
Phone: 253/872-9693
Toll Free: 800/248-3269
Fax: 253/872-0803
Email: sales@pioneerseattle.com

PIONEER
PACKAGING

20171 SW 95th Avenue
Tualatin, OR 97062-7538
Phone: 503/ 885-2565
Toll Free: 866/ 994-6375
Fax: 503/ 692-8469
Email: sales@pioneeroregon.com