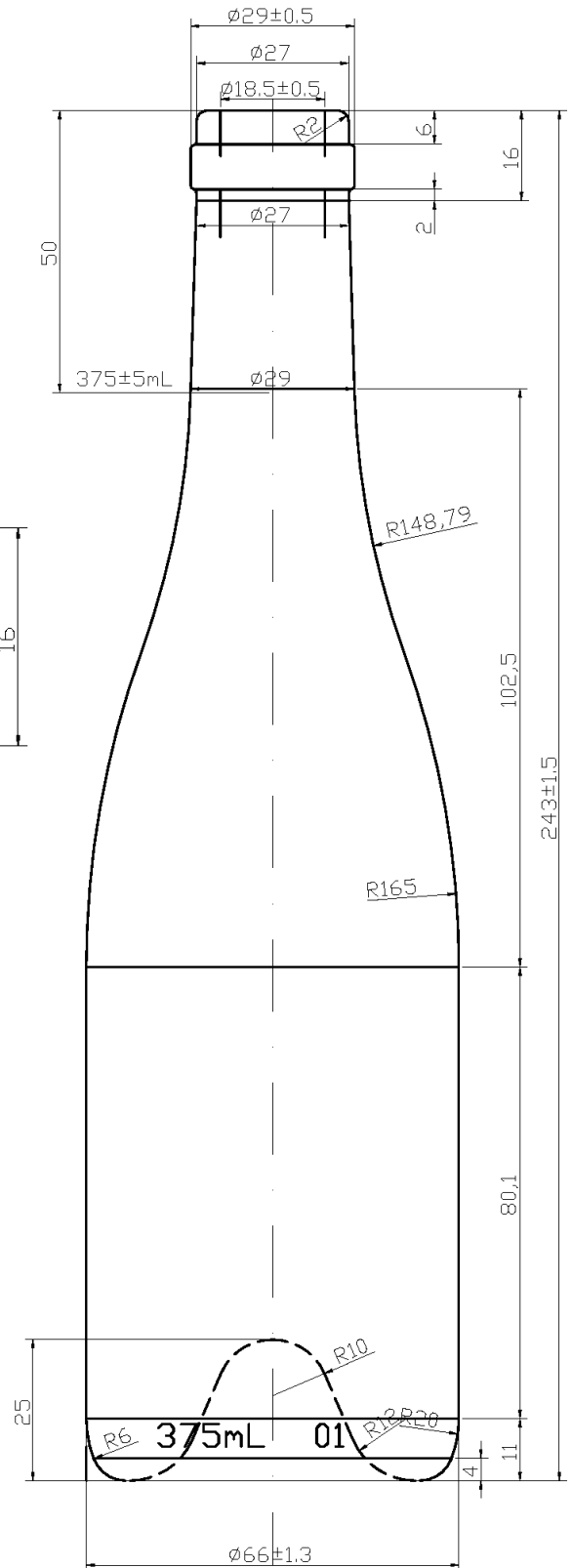
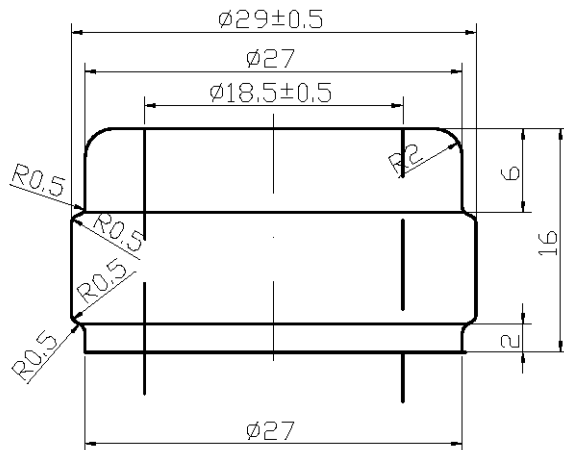


# 375-3BK



Capacity: 375ml

Overflow Capacity: 395 ± 8 ml

Weight: 340 ± 20 grams

Pallet Count: 162 cases

Stock Colors: AG



**PIONEER**  
**PACKAGING**

SEATTLE  PORTLAND

[PioneerNorthwest.com](http://PioneerNorthwest.com)