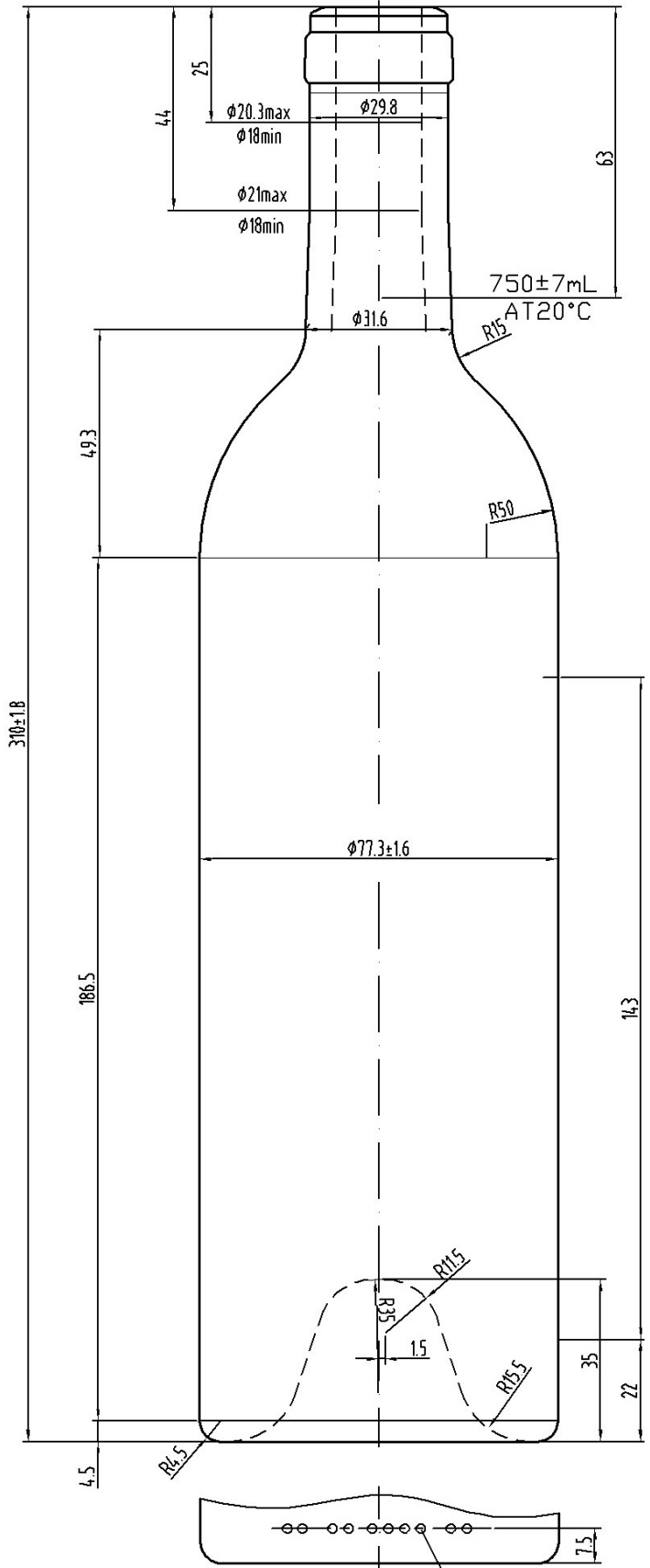
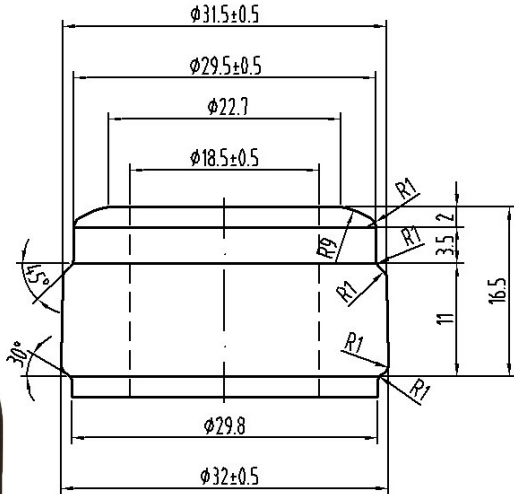


PG-150



Capacity: 750ml

Overflow Capacity: $770 \pm 7 \text{ml}$

Weight: 695 ± 25 grams

Pallet Count: 105 cases

Stock Color: AG



**PIONEER
PACKAGING**

SEATTLE  PORTLAND

PioneerNorthwest.com