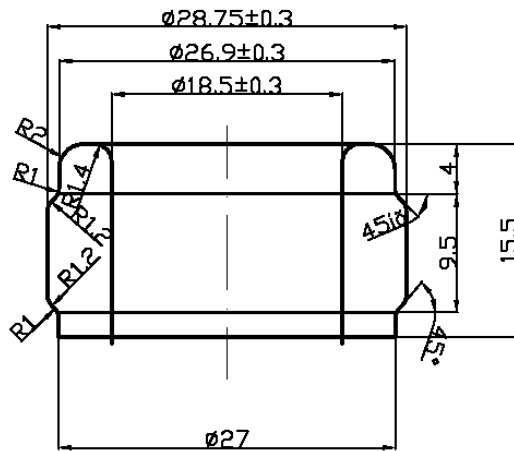


# PG-360



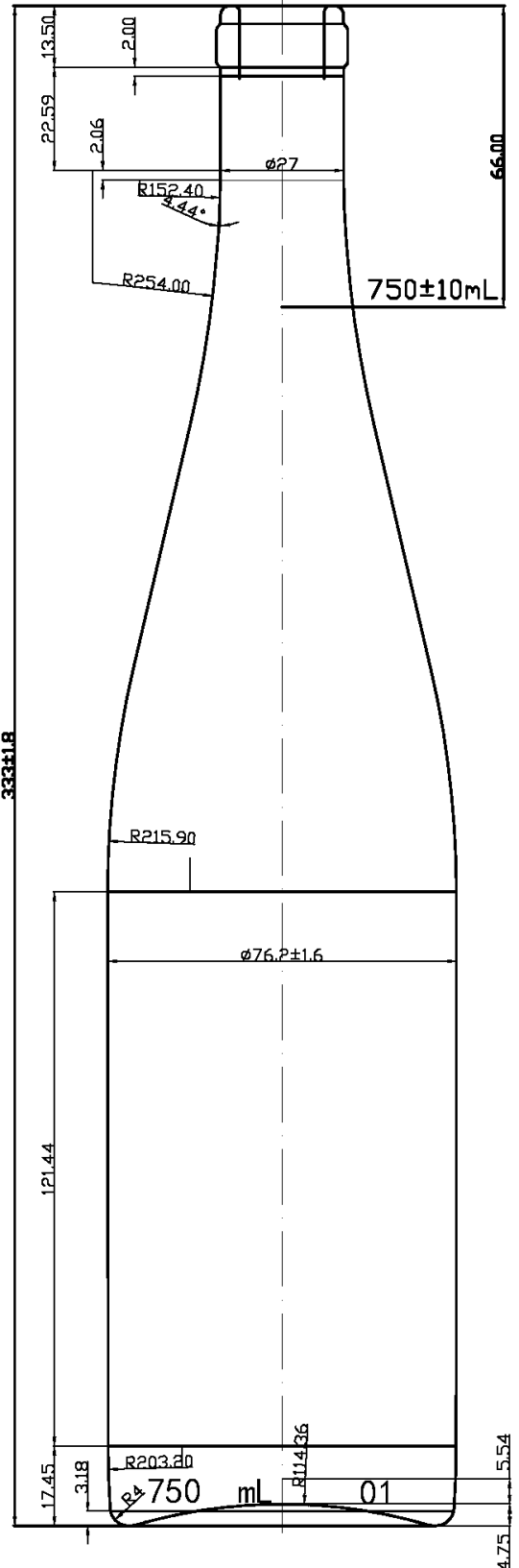
Capacity: 750 ml

Overflow Capacity:  $772 \pm 10$  ml

Weight:  $540 \pm 25$  grams

Pallet Count: 105 cases

Stock Colors: AG & Flint



**PIONEER**  
**PACKAGING**

SEATTLE  PORTLAND

[PioneerNorthwest.com](http://PioneerNorthwest.com)